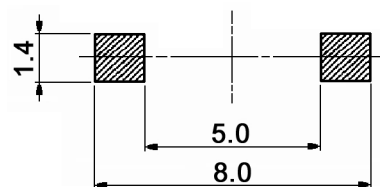
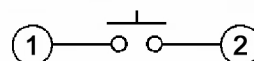


P.C.B. LAYOUT
BOTTOM VIEW



CIRCUIT DIAGRAM



Specifications:

Contact rating:	min. 20mV, max. 32V DC
Switching current:	min. 1mA, max. 50mA
Switching power:	max. 1VA
Contact resistance:	100mOhm max.
Insulation resistance:	100MOhm min. at 100V DC for 1 minute
Dielectric strength:	250V AC for 1 minute (50Hz or 60Hz, 2mA)
Operating temperature:	-20°C to +70°C
Operating force:	180gf +/-50gf
Actuator strength:	30N for 1 minute
Mechanical life:	1 000 000 cycles
Packaging:	2500 pcs. / reel
Material:	Terminal: C5191R-EH, Ag Case / stem: PA46, black Contact plate: SUS, Ag Cover: SUS, washing

Compliance: RohS II (2011/65/EU)

Tolerances:			Date	Name
Specifications	10/14	dr	02/06	dr
Soldering conditions	12/08	dr		
Packaging	12/08	dr		
Actuator strength	05/08	dr		
Operating temperature	04/08	dr		
Mechanical life	01/07	dr		
Mechanical life	05/06	dr		
Modifications	Date	Name		

TSS 309 N-J

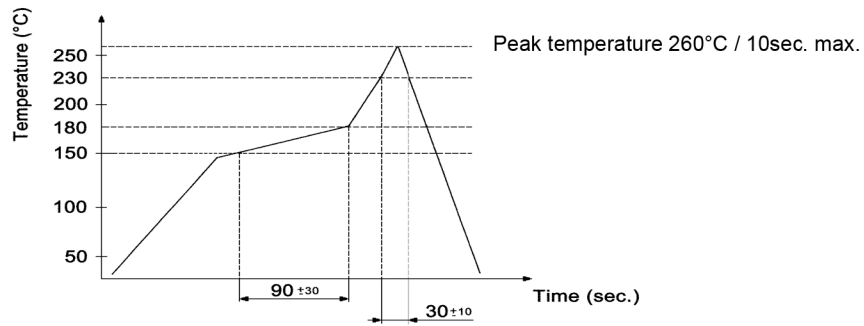
knitter-switch

30 07 81

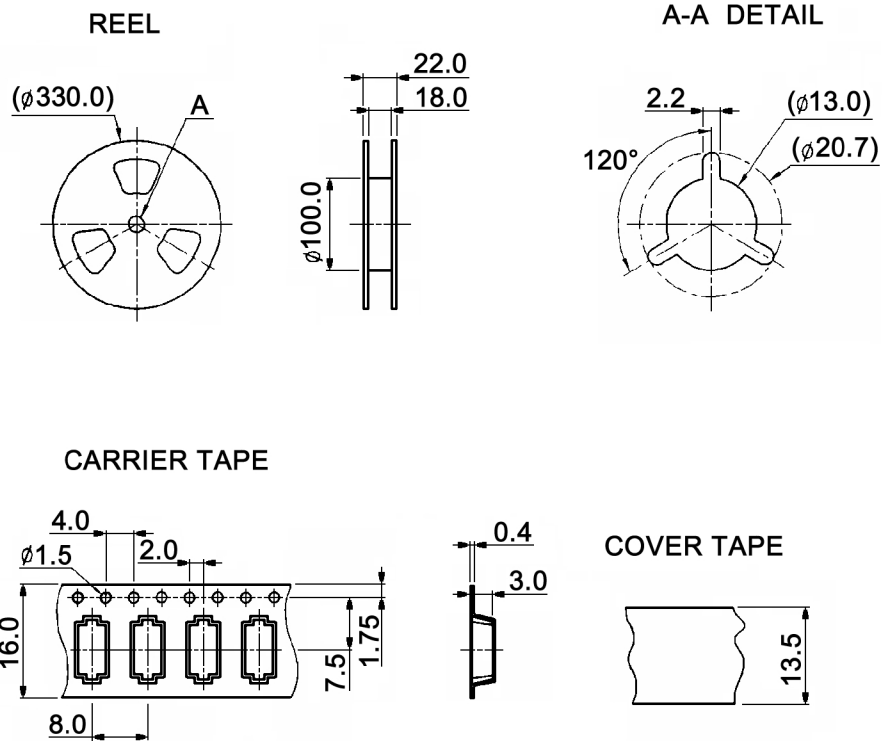
Page

1/2

Soldering conditions:



Packaging:



Packaging unit: 2500 pcs / reel
 Compliance: RohS II (2011/65/EU)

Tolerances:	Date	Name	<h1>TSS 309 N-J</h1>
	12/08	dr	
			<h2>30 07 81</h2>
			Page
			2/2
Modifications	Date	Name	

knitter-switch